

8

7

6

5

4

3

DWG NO. 4129742

SH 1 REV 100

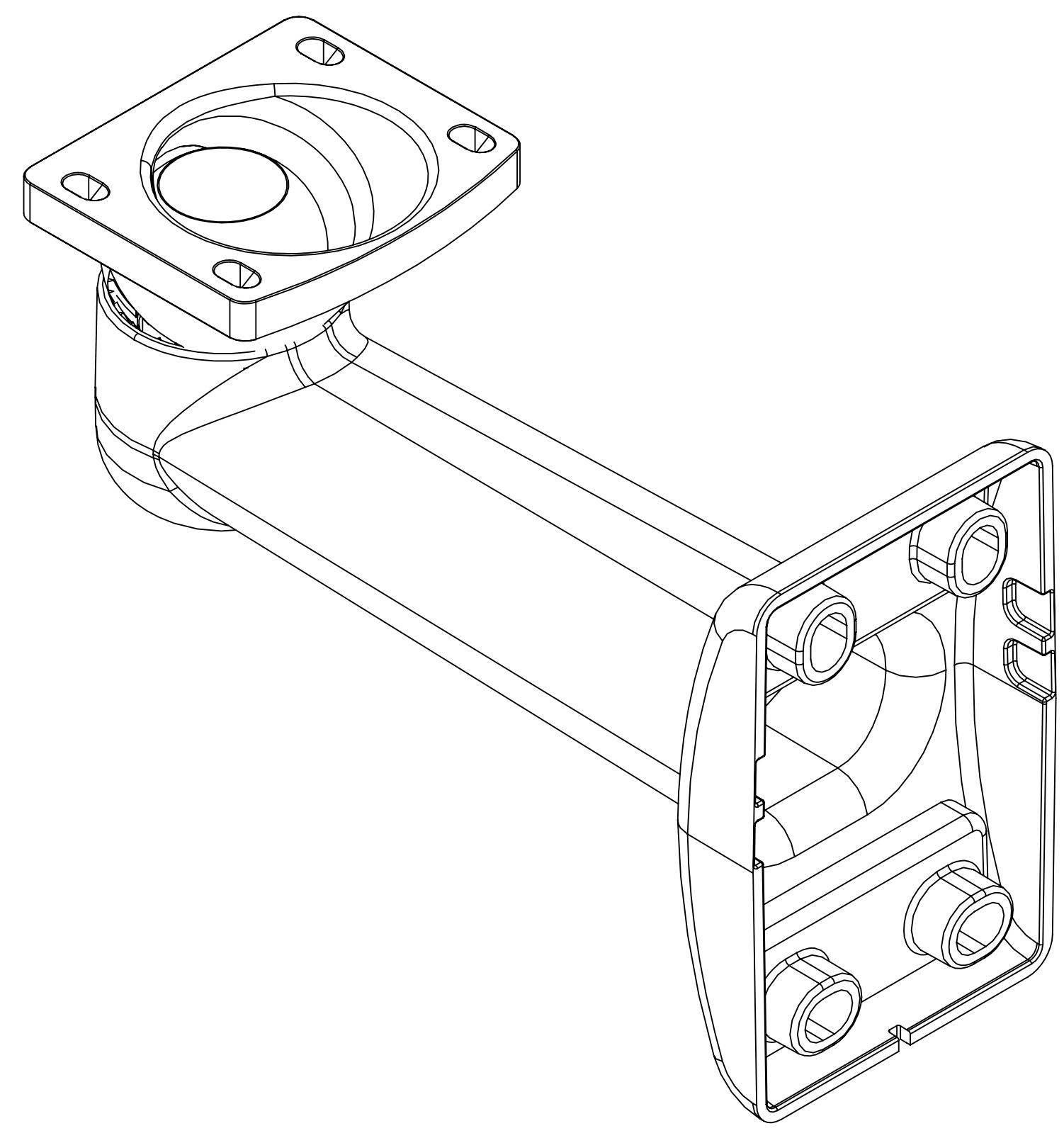
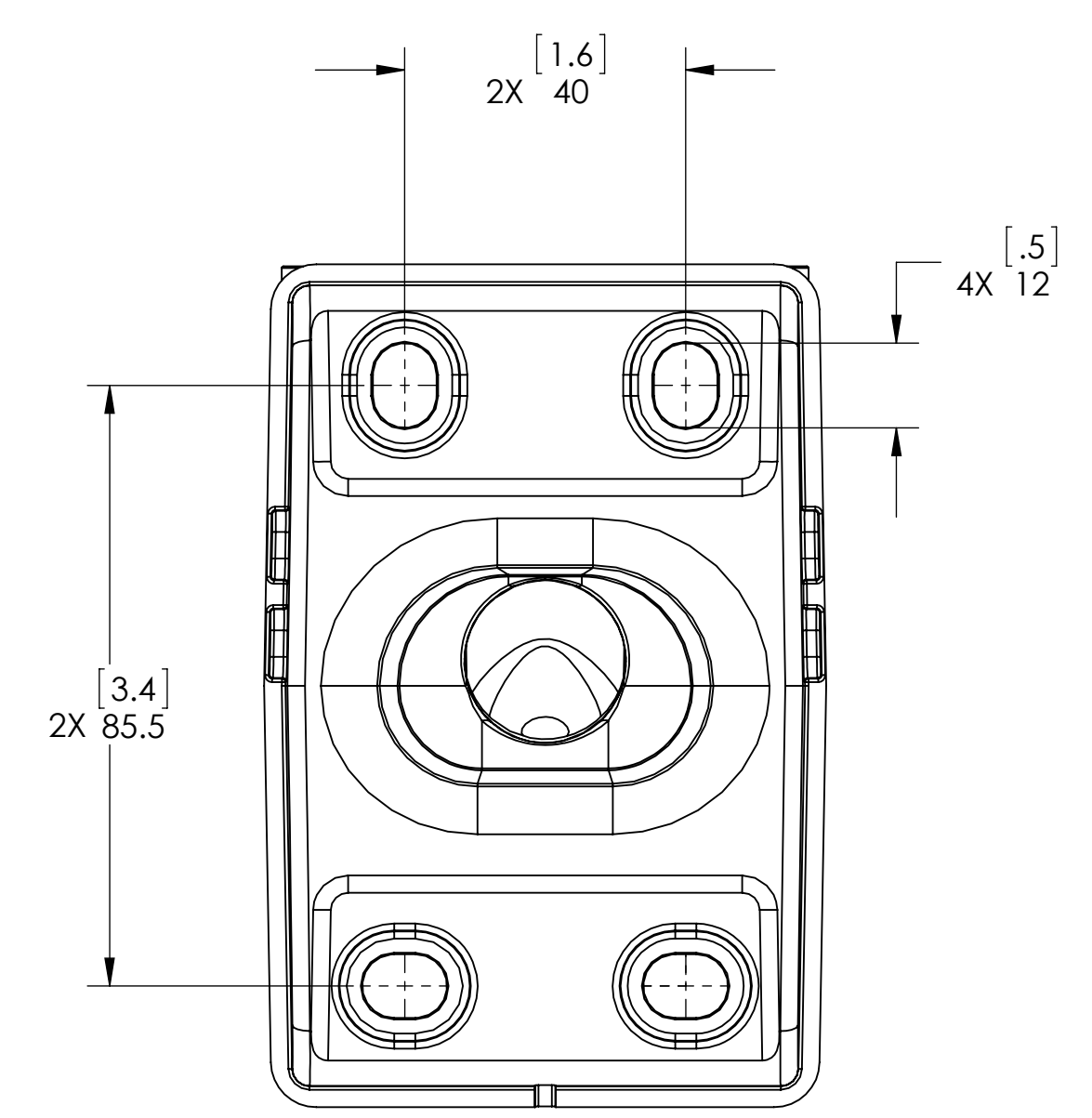
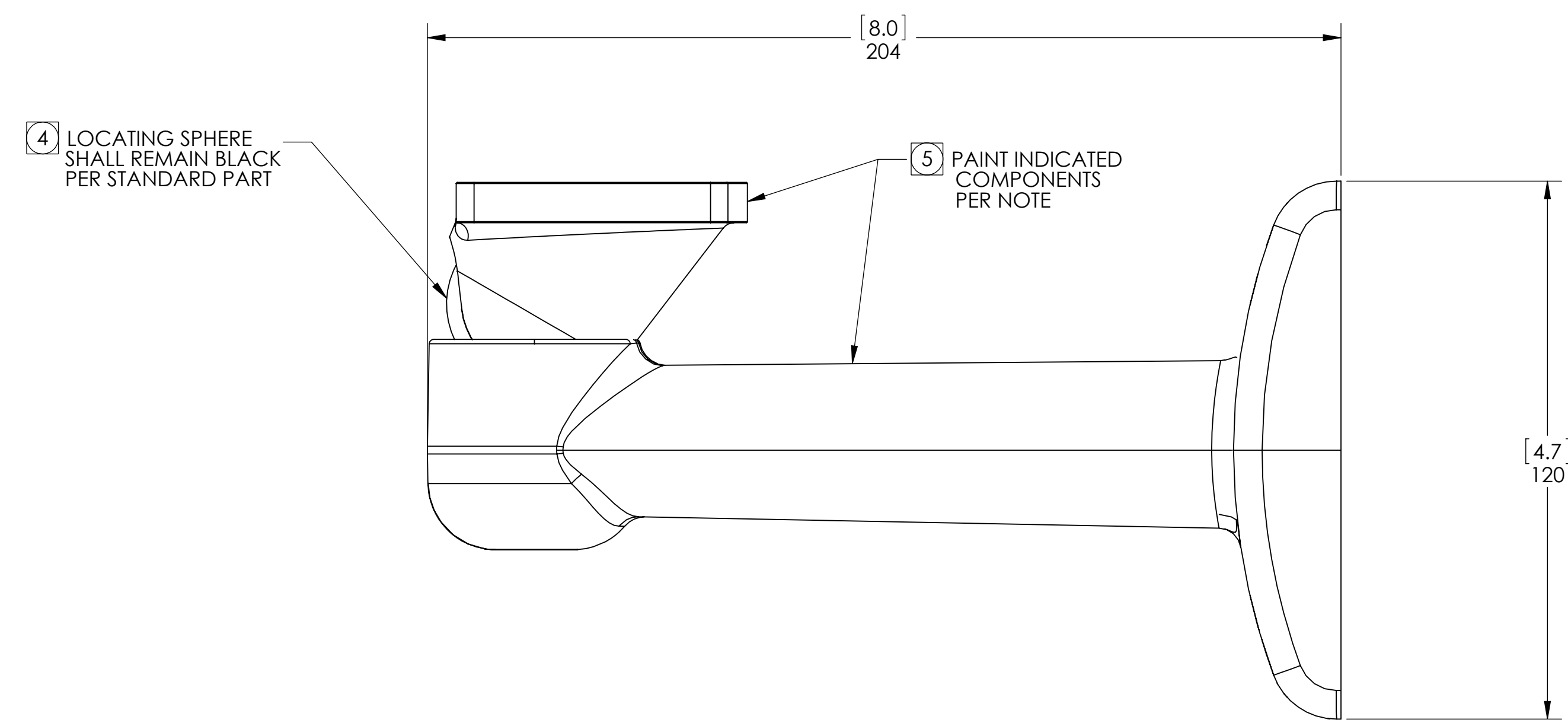
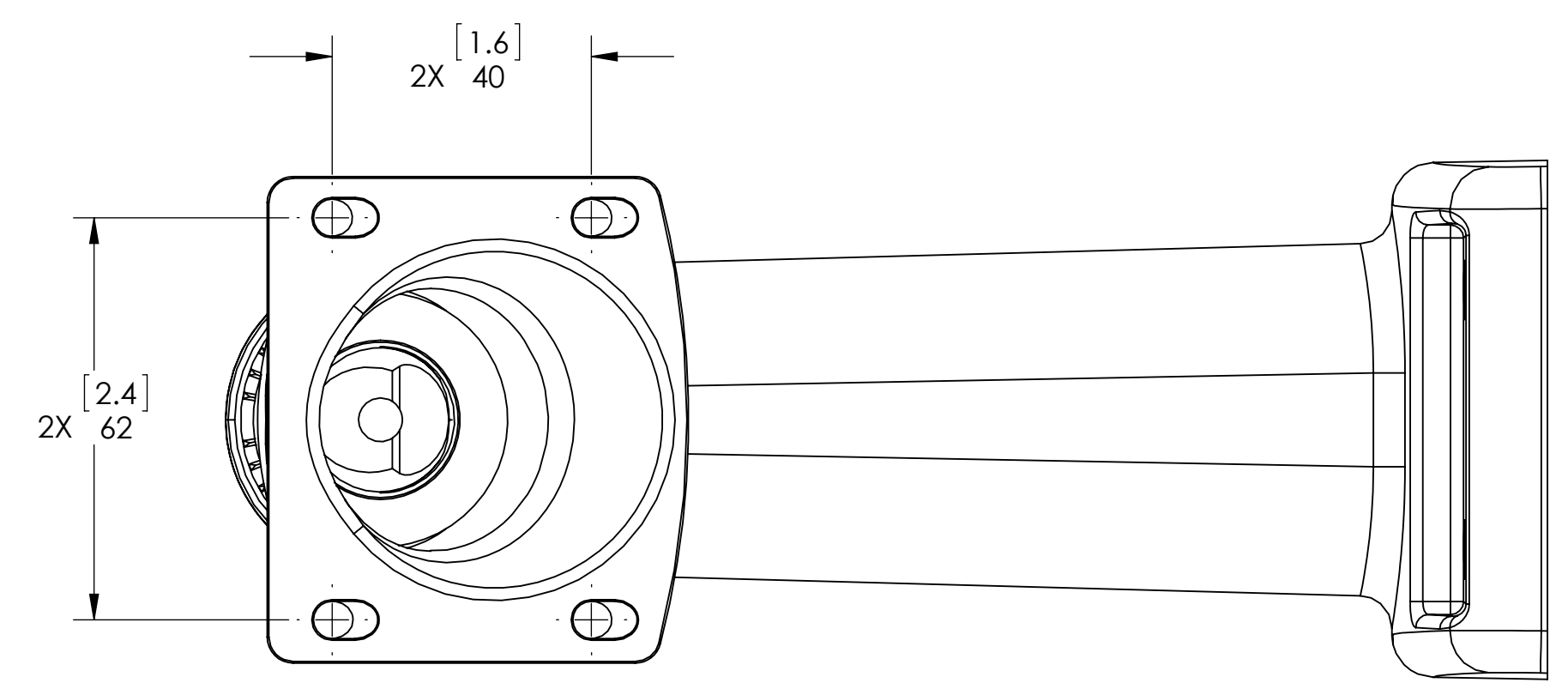
1

NOTES: UNLESS OTHERWISE SPECIFIED

- 1. MAKE FROM VIDEOTEC SECURITY INC. WBOVA2 CASTINGS.
- 2. ASSEMBLY SHALL BE PACKAGED WITH STANDARD HARDWARE AND ADJUSTMENT TOOL PER WBOVA2 BASELINE.
- 3. PART NUMBER, REVISION, DESCRIPTION, AND MFG INFORMATION SHALL BE DEFINED IN TABLE 1.
- 4. LOCATING SPHERE SHALL REMAIN BLACK PER STANDARD VIDEOTEC MFG PROCESS.
- 5. STANDARD WHITE POWDER PAINT SHALL BE SUBSTITUTED ACCORDING TO FLIR PART NUMBERS AS FOLLOWS:
4129742: 'WHITE VARIANT' SHALL BE PAINTED WITH CARDINAL INDUSTRIAL FINISHES WHITE TEXTURE POWDER PAINT PN: X041-WHI01105.
POOLVER WHITE TEXTURE POWDER PAINT PN: P.16-043 IS AN APPROVED REPLACEMENT.
- 6. STANDARD BOX LABEL SHALL BE REPLACED BY LABEL SHOWN. APPLY FLIR SPECIFIC LABEL IN ACCORDANCE WITH STANDARD APPLICATION PROCESS. SEE SHEET 2.

FLIR LOGO SHALL BE PROVIDED BY FLIR: FLIR_LOGO_BLACK.JPG (FORMAT 1271 x 437)
FLIR LOGO SIZE: LOCKED SCALE, APPROXIMATE SIZE SHOWN
LABEL OR PRINTED SIZE: 110MM X 58MM

REVISIONS				
ZONE	REV.	DESCRIPTION	DATE	APPROVED
	100	INITIAL RELEASE PER ECN 118536	7/13/2012	



100	4129742	WALL MOUNT - CONCEALED CABLE, WHITE, FC	WBOVQ2_FLIR
FLIR REV	FLIR PN	FLIR DESCRIPTION	MFG PN

<p>THIRD ANGLE PROJECTION</p>	<p>PROPRIETARY - FLIR SYSTEMS, INC. THIS DOCUMENT CONTAINS PROPRIETARY INFORMATION TO FLIR SYSTEMS, INC. THIS INFORMATION MUST BE MAINTAINED IN CONFIDENCE AND USED ONLY IN A MANNER CONSISTENT WITH THE DOCUMENTATION AND ANY EXECUTED NON DISCLOSURE AGREEMENT, AND MY NOT BE DISCLOSED TO ANY THIRD PERSON WITHOUT FLIR'S WRITTEN CONSENT.</p>			
	<p>THIS DOCUMENT IS CONTROLLED TO FLIR TECHNOLOGY LEVEL 2. THE INFORMATION CONTAINED IN THIS DOCUMENT PERTAINS TO A DUAL USE PRODUCT CONTROLLED HEREIN ARE SUBJECT TO DISCLOSURE RESTRICTIONS REGULATIONS (EAR). FLIR TRADE SECRETS CONTAINED HEREIN ARE SUBJECT TO DISCLOSURE RESTRICTIONS AS A MATTER OF LAW. DIVERSION CONTRARY TO US LAW IS PROHIBITED. US DEPARTMENT OF COMMERCE AUTHORIZATION IS NOT REQUIRED PRIOR TO EXPORT OR TRANSFER TO FOREIGN PERSONS OR PARTIES UNLESS OTHERWISE PROHIBITED.</p>			
METRIC	MATERIAL	PROJECT NO.	FLIR Systems, Inc. 70 Castilian Drive Goleta, CA 93117	
INTERPRET DRAWING PER ASME Y14.5M-1994	SEE NOTE 1	APPROVALS	DATE	TITLE
UNLESS OTHERWISE SPECIFIED SURFACE ROUGHNESS 0.8um	SEE NOTES 4, 5	DWN S. CHAPPLE	5.25.2012	SCD - WALL MOUNT CONCEALED CABLE, WHITE, FC
	UNLESS OTHERWISE SPECIFIED ALL MEASUREMENTS ARE IN MM. ALL DIMENSIONS IN () ARE INCHES. DO NOT SCALE DRAWING.	CHK		SIZE D 064Y2
		DSGN		DWG NO. 4129742
		ENG		REV 100
		APP		SCALE 1:1 PRINTED: 7/24/2012 SHEET 1 OF 2
		CALC WT:		SOLIDWORKS MODEL: 41297XX WALL MOUNT - CONCEALED CABLE MODEL REVISION: P01

8

7

6

5

4

3

2

1

8

7

6

5

4

3

DWG NO. 4129742 SH 2 REV 100

1

D

D

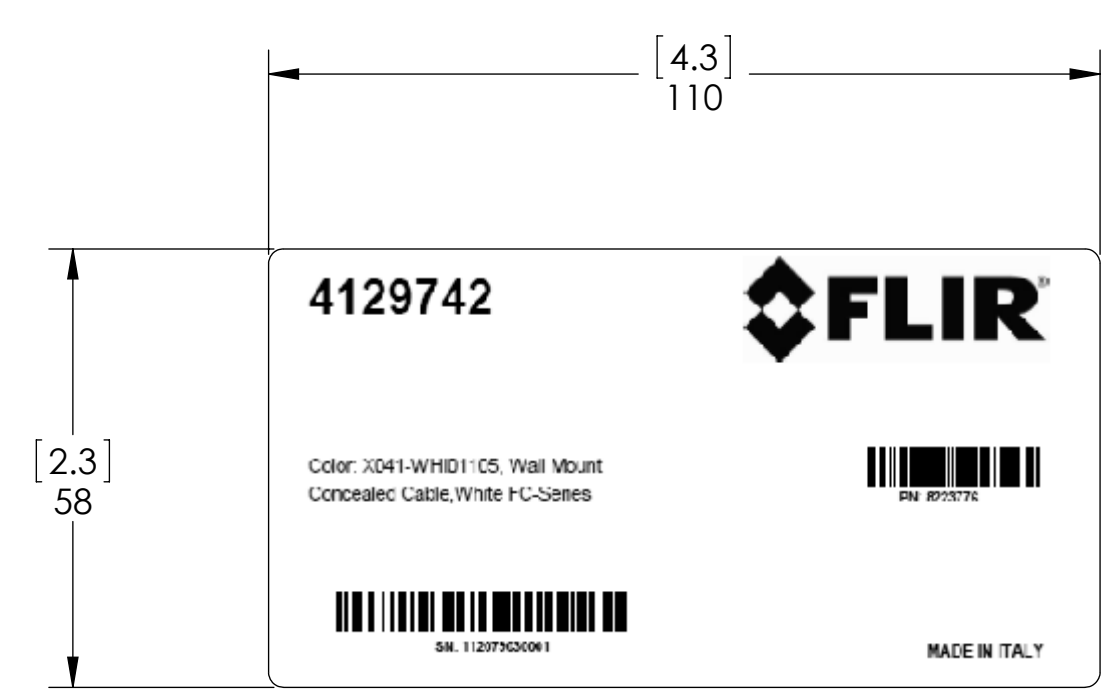
C

C

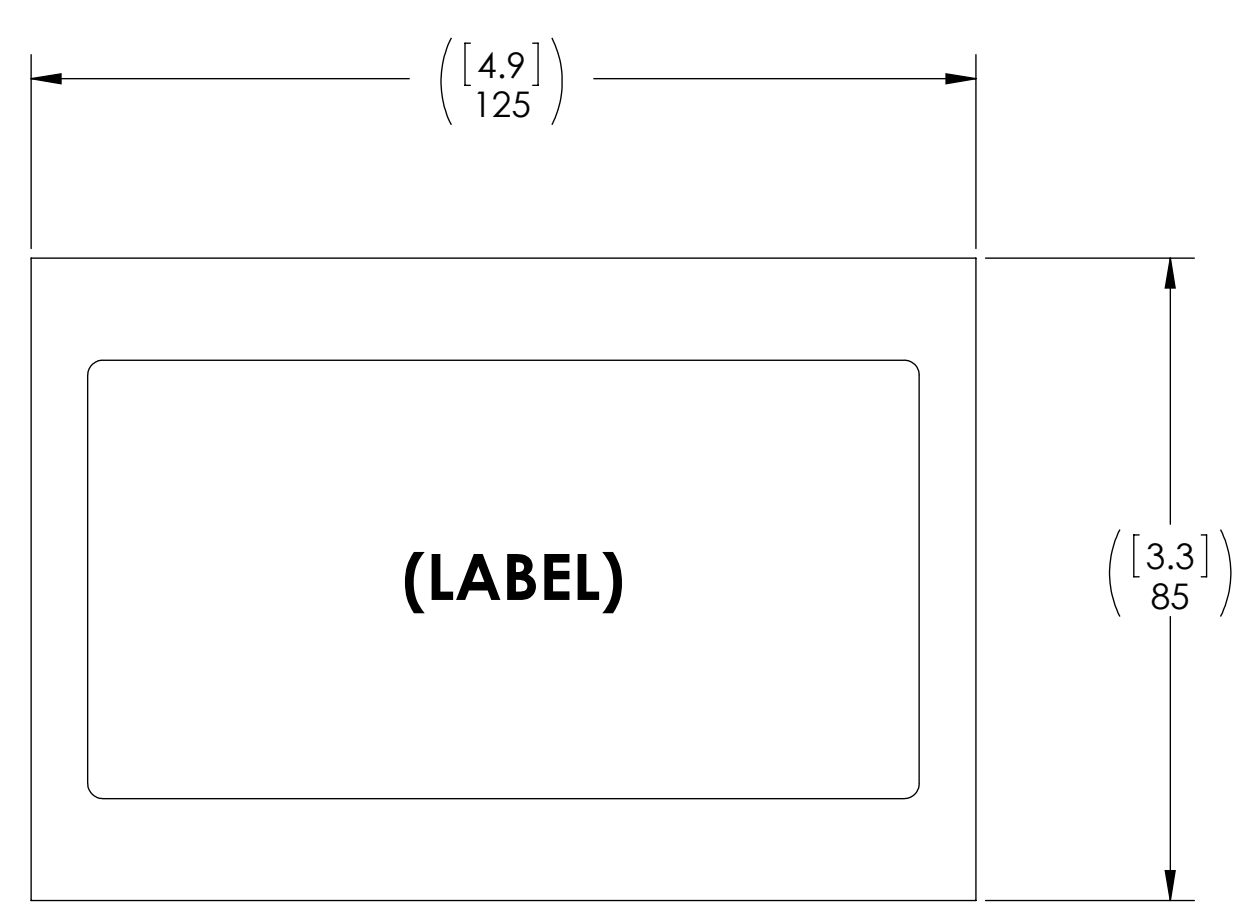
B

A

A



6 LABEL FORMA SCALE 1:1



6 REFERENCE VIEW SHIPPING BOX (SHORT END)

SCD - WALL MOUNT CONCEALED CABLE, WHITE, FC

METRIC

PROPRIETARY - FLIR SYSTEMS, INC.

THIS DOCUMENT IS CONTROLLED TO FLIR TECHNOLOGY LEVEL 2. THE INFORMATION CONTAINED IN THIS DOCUMENT PERTAINS TO A DUAL USE PRODUCT CONTROLLED FOR EXPORT BY THE EXPORT ADMINISTRATION REGULATIONS (EAR). FLIR TRADE SECRETS CONTAINED HEREIN ARE SUBJECT TO DISCLOSURE RESTRICTIONS AS A MATTER OF LAW. DIVERSION CONTRARY TO US LAW IS PROHIBITED. US DEPARTMENT OF COMMERCE AUTHORIZATION IS NOT REQUIRED PRIOR TO EXPORT OR TRANSFER TO FOREIGN PERSONS OR PARTIES ULESS OTHERWISE PROHIBITED.

	FLIR Systems, Inc. 70 Castilian Drive Goleta, CA 93117	SIZE D	CAGE 064Y2	PIECE PART. 4129742	REV 100
	SCALE 1:1		PRINTED: 7/24/2012	SHEET 2 OF 2	

SOLIDWORKS MODEL: MODEL REVISION:

8

7

6

5

4

3

2

1

DWG NO. 4129742 SH 2 REV 100