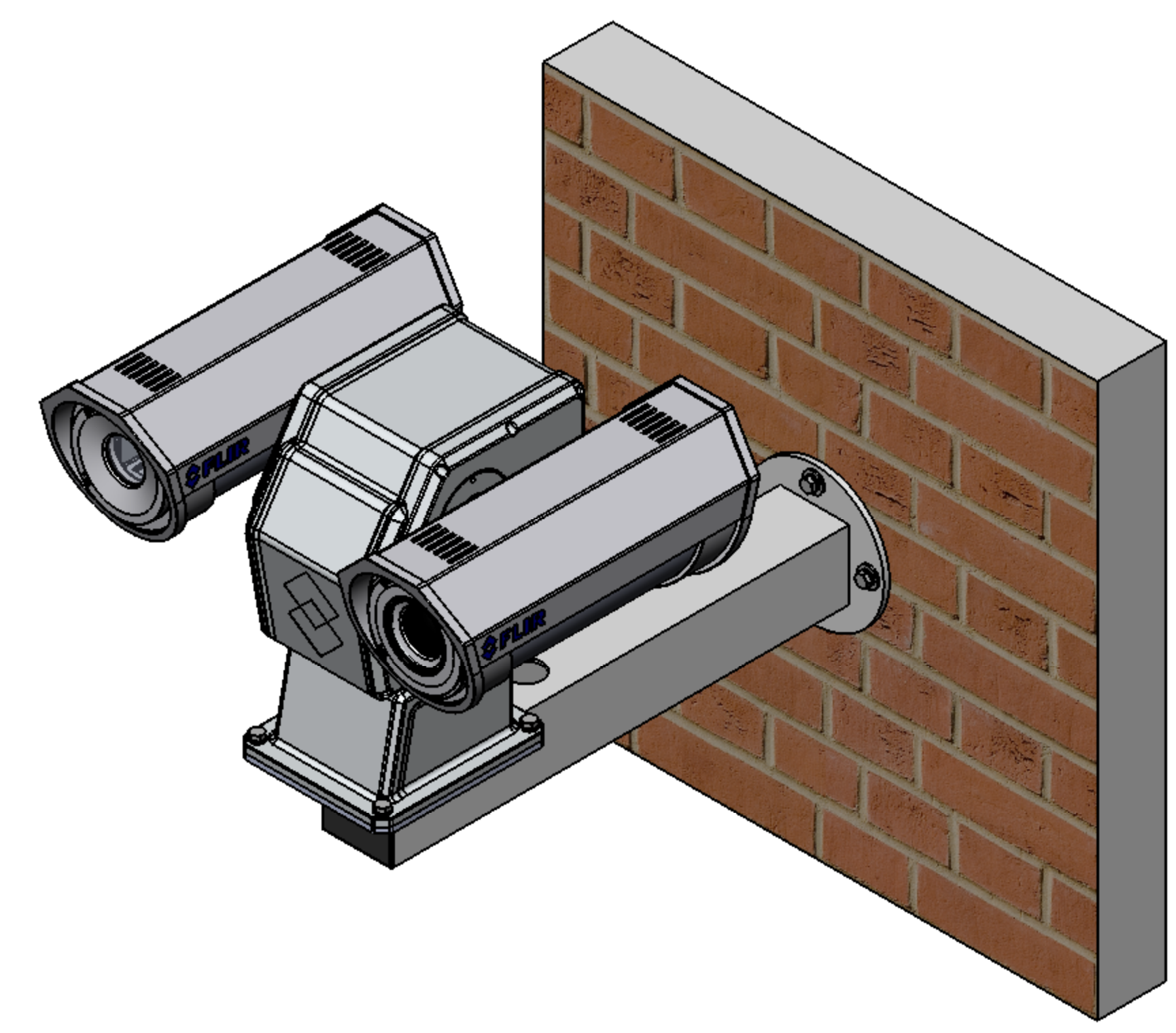
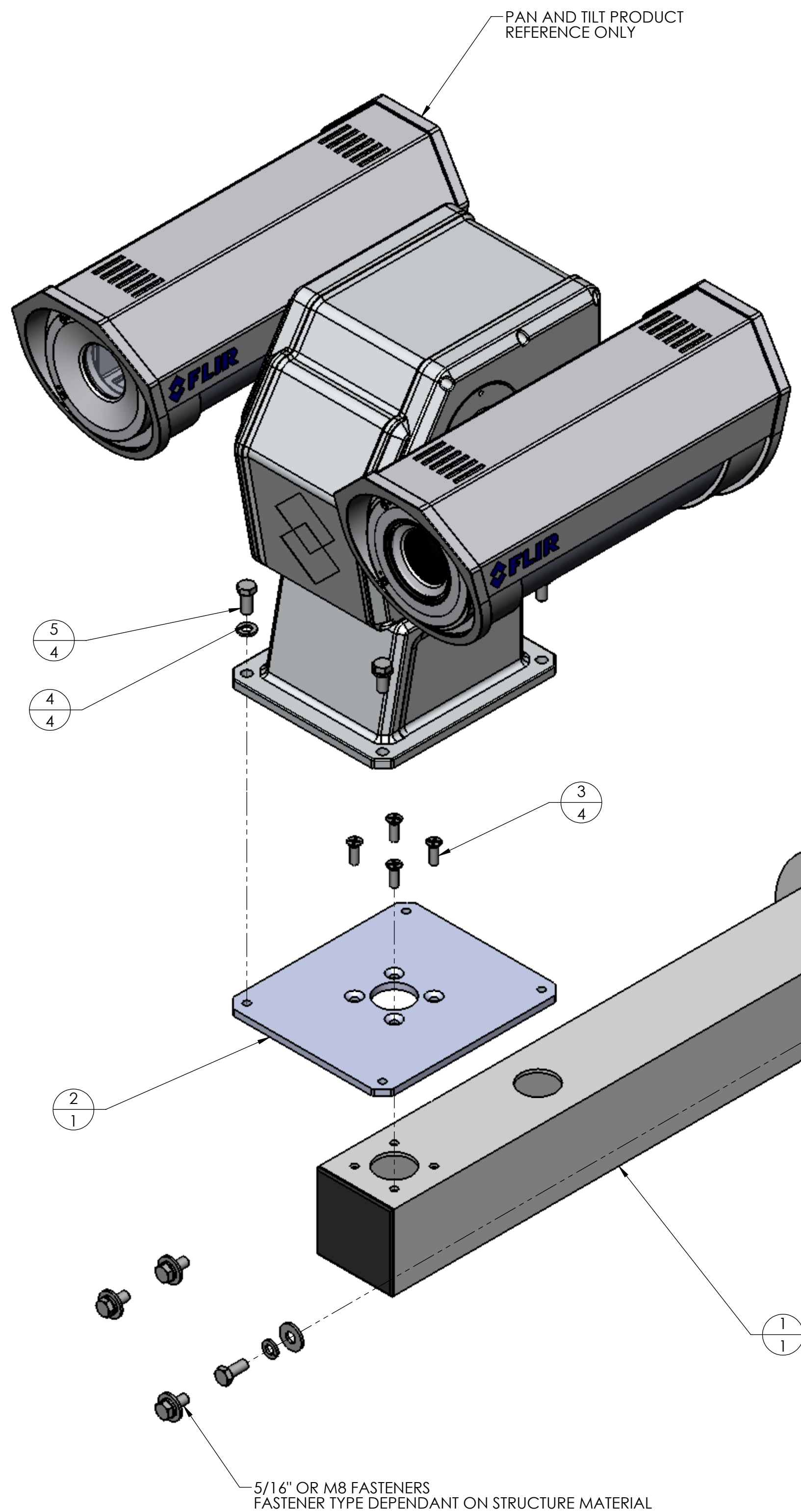


NOTES: UNLESS OTHERWISE SPECIFIED

1. APPLY THREAD LOCKER TO THREADS OF ALL FASTENERS.

REVISIONS				
ZONE	REV	DESCRIPTION	DATE	APPROVED
	100	INITIAL RELEASE, ECN 109821	5/10/2010	DD



ISOMETRIC VIEW
SCALE: 1/4

Default	PART NUMBER	DESCRIPTION	SOURCE/INFO	ITEM
4		HHCS, 5/16-18 X 3/4" LONG, SS		5
4		WASHER, LOCK, SPLIT, 5/16" SS		4
4		FHMS, 1/4-20 X 3/4" HEX SOCKET, SS		3
1	4119468	ADAPTER PLATE- PT-SERIES		2
1	4119496	WALL MOUNT - PT-SERIES		1

THIRD ANGLE PROJECTION

METRIC

INTERPRET DRAWING PER ASME Y14.5M-1994

UNLESS OTHERWISE SPECIFIED SURFACE ROUGHNESS 0.80um

X = ±.25
XX = ±.13
ANGULAR = ±.5°
FILLET RADII = .13 MAX

THIS DOCUMENT IS CONTROLLED TO FLIR EAR TECHNOLOGY LEVEL 2.

THE INFORMATION CONTAINED IN THIS DOCUMENT PERTAINS TO A DUAL USE PRODUCT CONTROLLED FOR EXPORT BY THE EXPORT ADMINISTRATION REGULATIONS (EAR). FLIR TRADE SECRETS CONTAINED HEREIN ARE SUBJECT TO DISCLOSURE RESTRICTIONS AS A MATTER OF LAW. DIVERSION CONTRARY TO US LAW IS PROHIBITED. US DEPARTMENT OF COMMERCE AUTHORIZATION IS NOT REQUIRED PRIOR TO EXPORT OR TRANSFER TO FOREIGN PERSONS OR PARTIES UNLESS OTHERWISE PROHIBITED.

MATERIAL	PROJECT NO.	 FLIR Systems, Inc. 70 Castilian Drive Goleta, CA 93117
FINISH	APPROVALS DWN MKH CHK	
UNLESS OTHERWISE SPECIFIED ALL MEASUREMENTS ARE IN MM. ALL DIMENSIONS IN () ARE INCHES. DO NOT SCALE DRAWING.	DATE 05/04/10	TITLE ASSEMBLY, WALL MOUNT - PT-SERIES
CALC WT: 211.147 GRAMS	DSGN ENG APP	SIZE D
		CAGE 064Y2
		DWG NO. 500-0460-00
		REV 100
		SCALE 3:8 PRINTED: 8/5/2010 SHEET 1 OF 2

SOLIDWORKS MODEL: 411XXXX ASSEMBLY, WALL MOUNT - PT-SERIES
MODEL REVISION: 020-WC

DWG NO. 500-0460-00 SH 1 REV 100

D

C

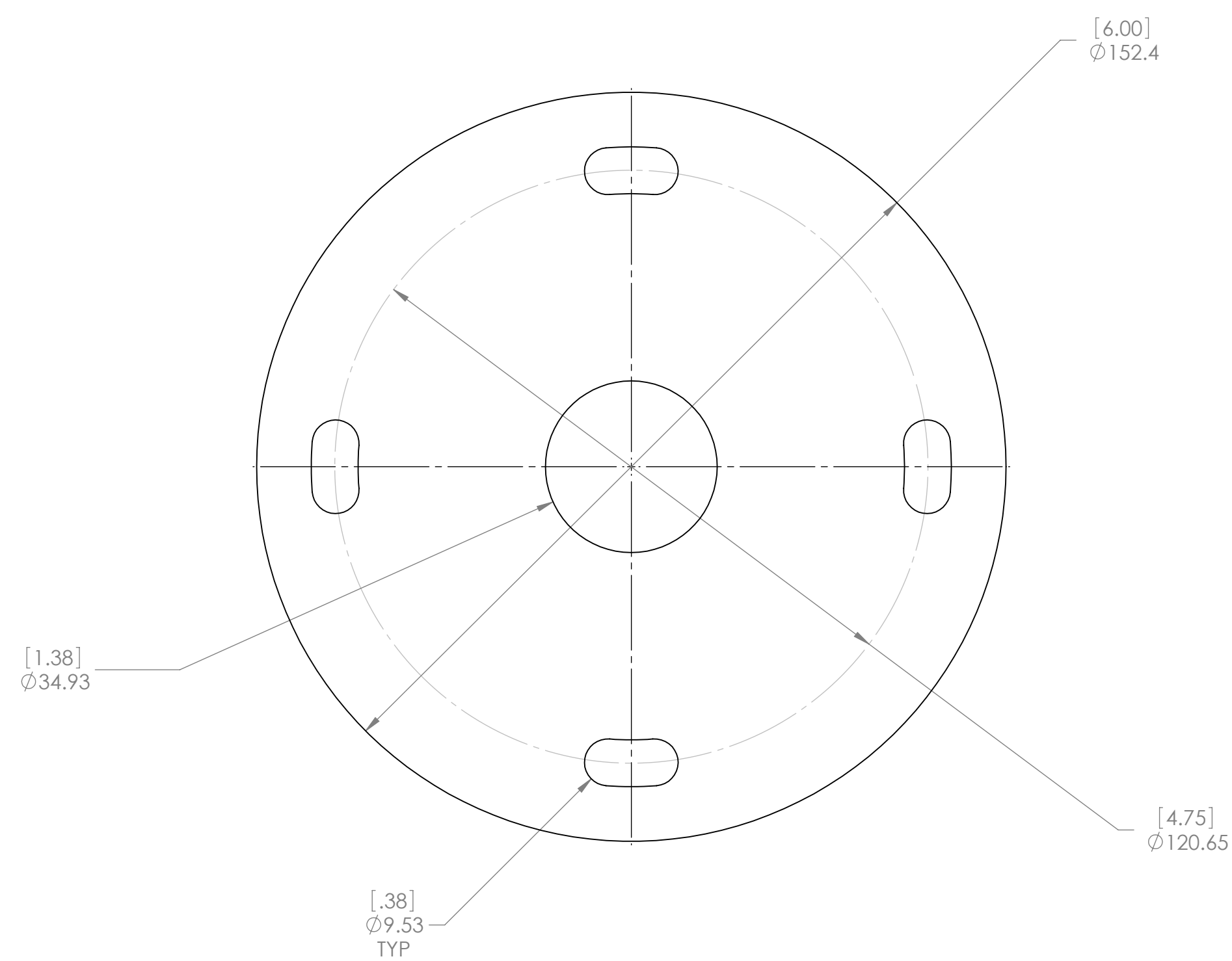
B

A

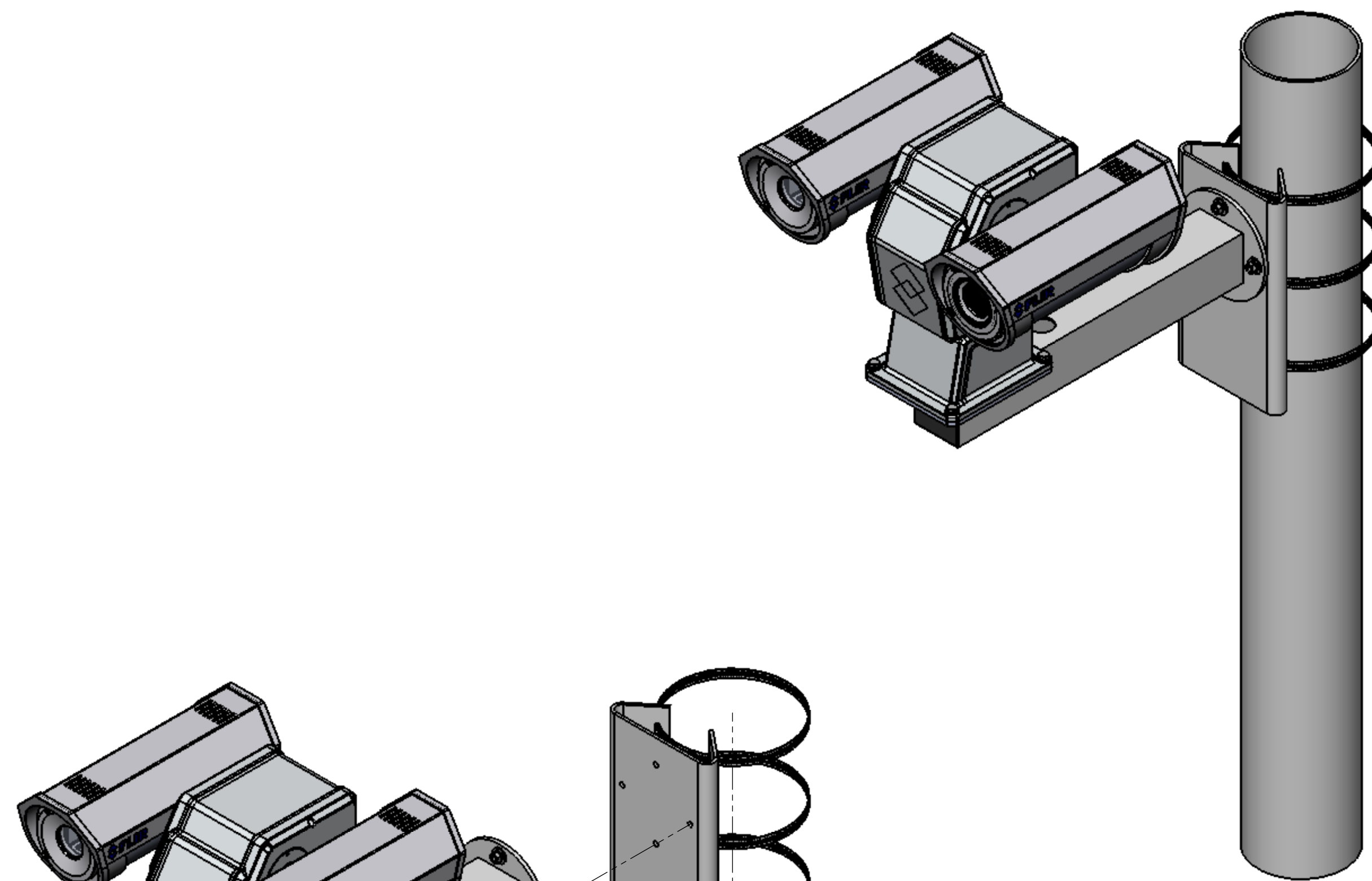
D

C

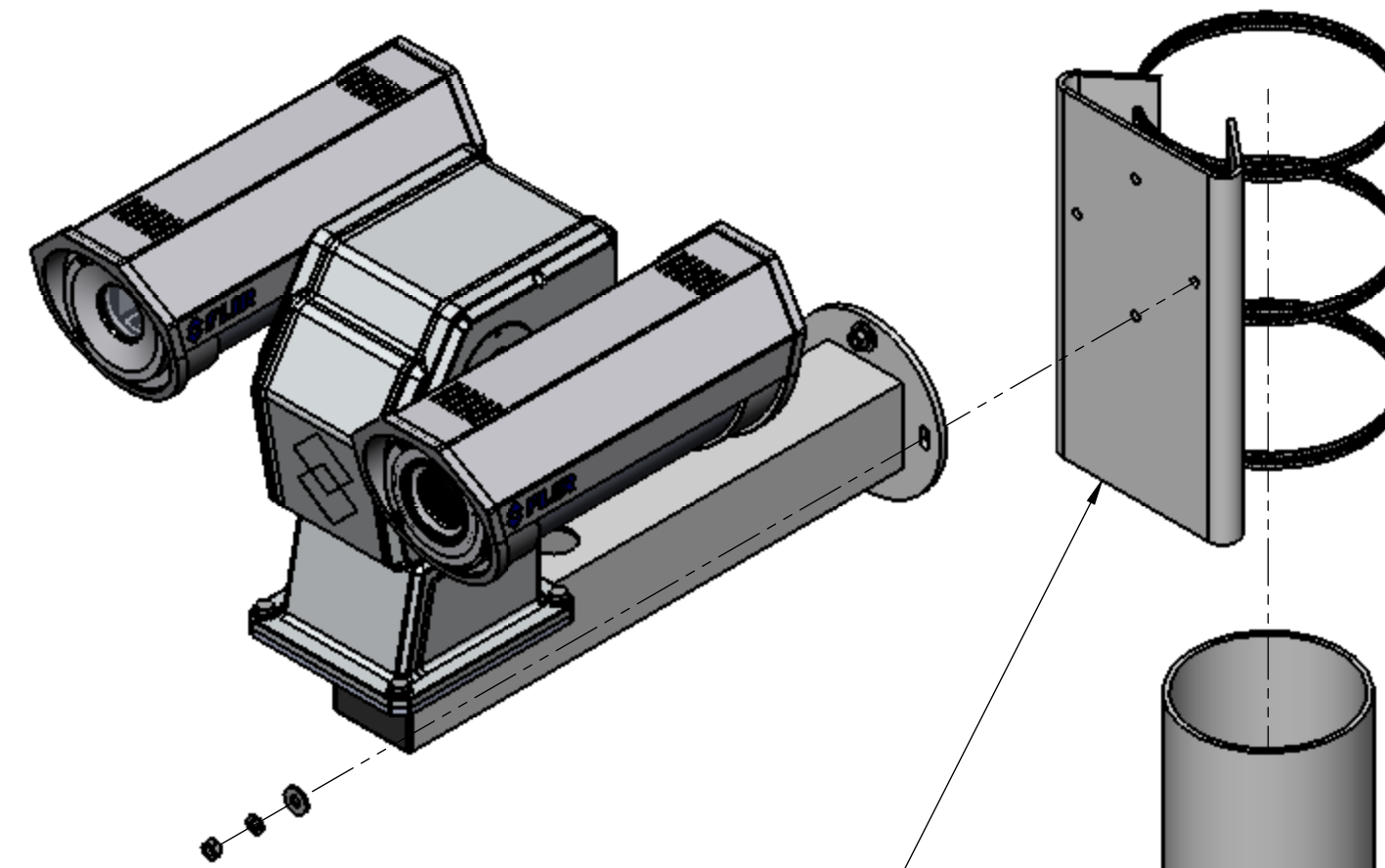
A



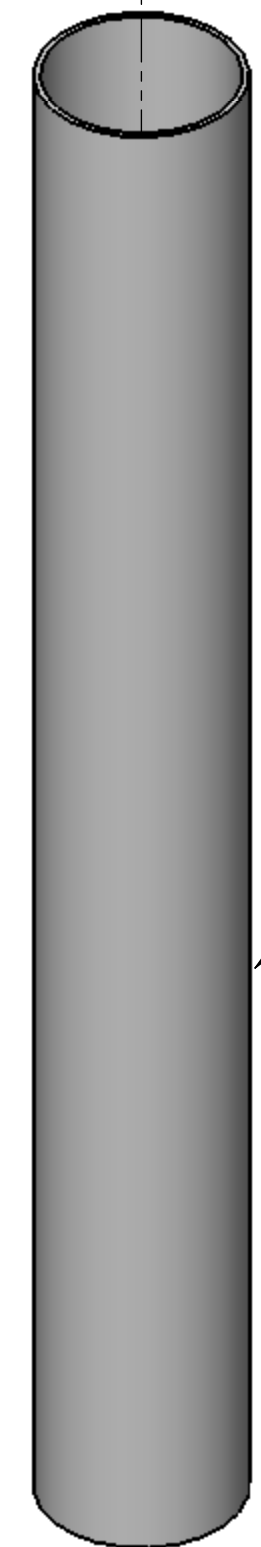
BASE OF WALL MOUNT
SCALE: FULL



ASSEMBLED ISOMETRIC VIEW
SCALE: 3/16



OPTIONAL POLE MOUNT ADAPTER
FLIR P/N 4119498
(SUPPLIED WITH FASTENERS
AND POLE CLAMPS)



WALL MOUNT WITH OPTIONAL POLE MOUNT ADAPTER

SCALE: 3/16

Ø 76.2 [3.00] TO 203.2 [8.00]